

Induction Motor

200 Watt

Frame Size: □ 104 mm

Continuous Rating, TEFC Aluminium Die Cast Body.
 Rotates in clock wise or counter clock wise direction.
 Over runs after few rotations after supply is cutt off.
 Speeds are 2880 / 1440 and further low speeds with the gearbox.
 Terminal box or open lead wires for connections.

Specifications :

Output Power W	Model	Frequency Hz	Supply Voltage Volt	Current A	Starting Torque Kg.cm	Rated Torque Kg.cm	Rated Speed RPM	Capacitor μ F
200	104 4G IW 200	60	110 V Single Phase	3.2	16	18	1500	18
200	104 4G IX 200	50	230 V Single Phase	1.2	15	18	1350	5

Gearmotor Torque Table:

The maximum permissible torque is 400 kg.cm

50 Hz

Unit: kg.cm

RPM	500	416	300	250	200	166	120	100	83	60	50	41	30	25	20	16	15	12.5	10	8.3
Gear Ratio	3	3.6	5	6	7.5	9	12.5	15	18	25	30	36	50	60	75	90	100	120	150	180
Output Torque	41	49	68	81	103	123	163	196	235	330	392	400	400	400	400	400	400	400	400	400

60 Hz

Unit: kg.cm

RPM	600	500	360	300	240	200	144	120	100	72	60	50	36	30	24	20	18	15	12	10
Gear Ratio	3	3.6	5	6	7.5	9	12.5	15	18	25	30	36	50	60	75	90	100	120	150	180
Output Torque	34	41	57	69	85	101	135	162	195	275	326	390	400	400	400	400	400	400	400	400

Gear Boxes are sold separately.

A Sky blue colored background indicates gear shaft rotation in the same direction; a Brown background indicates rotation in the opposite direction as the motor shaft.

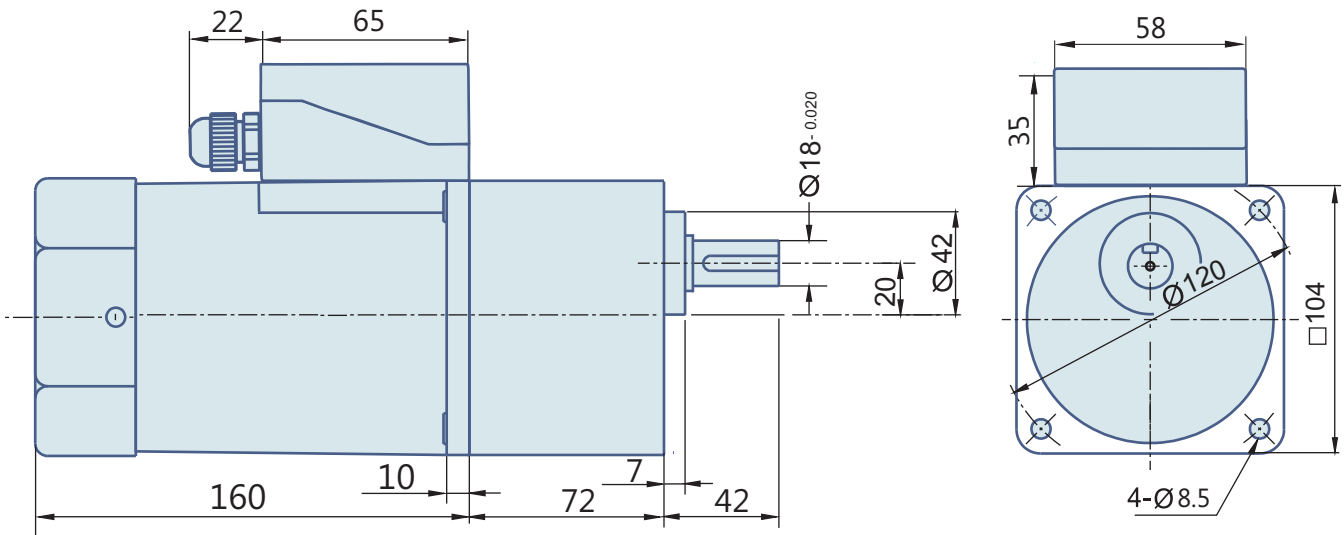
The speed of the Gear Motor is calculated by dividing the motor's synchronous speed (50 Hz; 1500 RPM & 60 Hz; 1800 RPM) by the ratio.

The actual speed is 2~20% less than the displayed value, depending upon the load size.

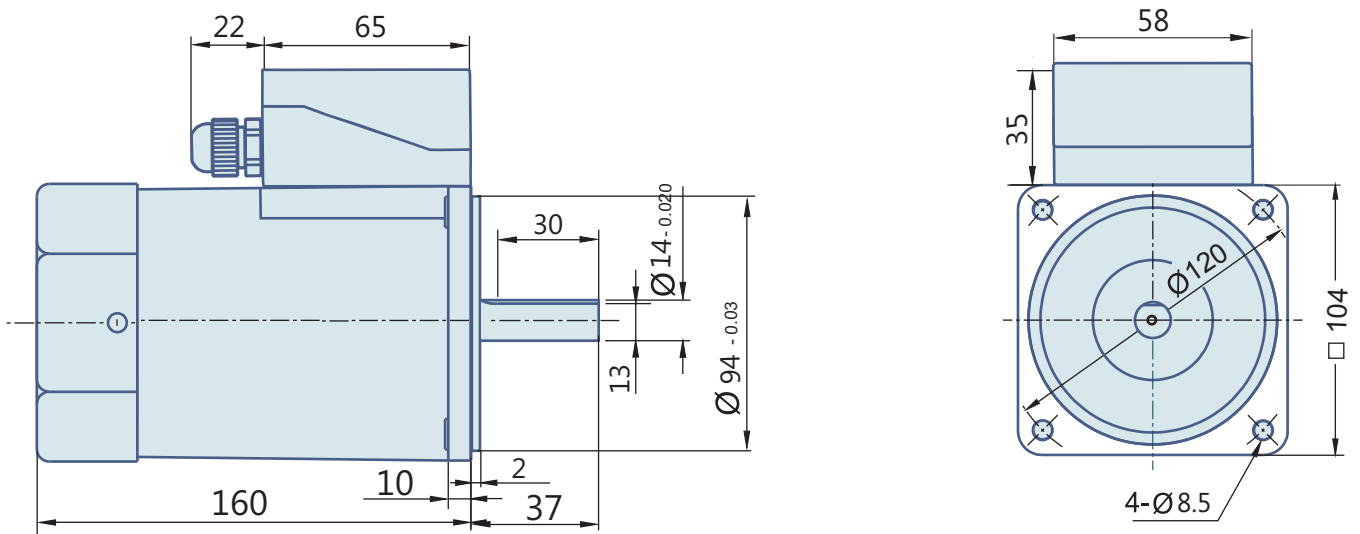
Characteristics, specifications and dimensions are subjected to change without prior notice.

Dimensions

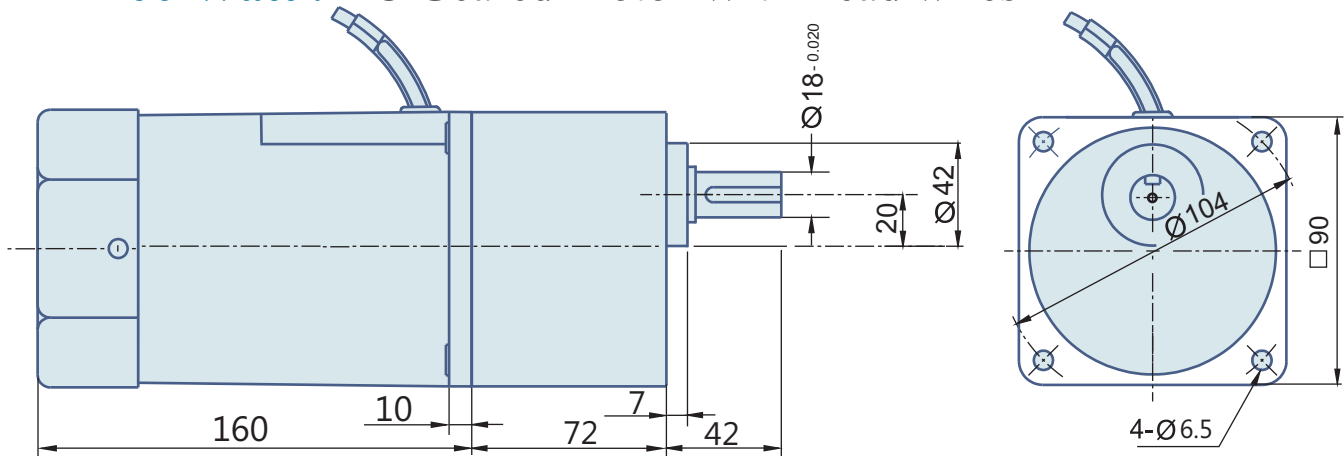
200 Watt : AC Geared Motor With Terminal Box



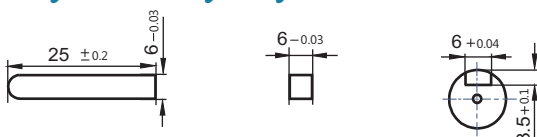
200 Watt : Round AC Induction Motor With Terminal Box



200 Watt : AC Geared Motor With Lead wires



Key and Keyway



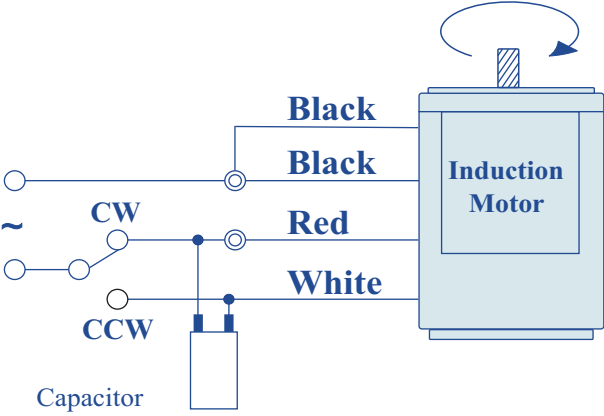
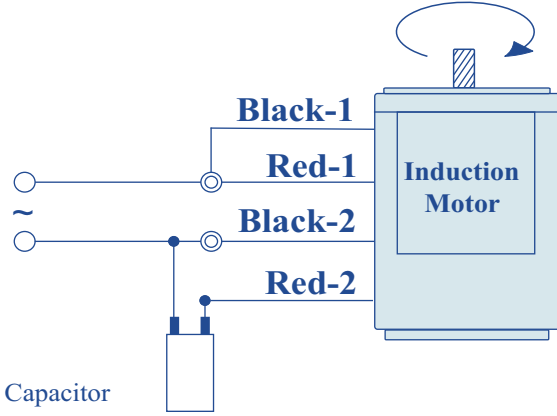
Weight

Motor: 4.5 Kg, Gearbox: 3.5 Kg.

(Note- All Dimensions are in mm)

Wiring Diagram

Wiring diagram for Single Phase Motors

Standard Single Phase Motor	SR Type Single Phase Motor
	
<p>Short the Black wires and connect as shown in fig., To rotate the motor in Clockwise direction.</p> <p>To change the direction, flip CW to CCW.</p>	<p>Black Wires are for Starting purpose and Red wires for the Running purpose, as shown in fig.,</p> <p>To change the direction, interchange Black wires or Red wires.</p>

Change the direction of the motor only after it stops rotating, if the attempt is made during rotation, the motor may ignore the reversing command or change the direction after some time.